

ADVANCED POWER FOR VETERINARY EXCELLENCE

myvet table 32+



Digital Radiographic Table
with fully integrated generator

- Delivering significant energy rapidly, facilitating the generation of X-rays through high power bursts
- Standard 120V power outlet installation
- 4-way floating table
- Premium collimator with preset and hands-free light control
- Embedded APR control for kVp and mAs

ULTRA
POWER

Fully Integrated Veterinary X-Ray System



32kW Generator

- Powerful Generator: Capable of delivering up to 400mA, ensuring high-quality images and reliable performance for a wide range of diagnostic needs.



Premium X-ray collimator

- Embedded APR Control: Automated Programmed Radiography (APR) controls for kVP and mAs ensure optimal imaging settings for various diagnostic needs.



4-way floating tabletop

- Wide-range movement: The wide-length tabletop smoothly moves allowing for easy and precise positioning to take full-body x-rays.



Integrated 32kW Generator

- Enhancement of the overall power efficiency: Consistent and reliable power to assure a perfect exposure every time.



120V Input Power

- No Special Electrical Requirements: It eliminates the need for specialized electrical infrastructure or upgrades, making installation straightforward and cost-effective.
- Accessible to All Clinics: Smaller or rural veterinary practices that might not have advanced electrical infrastructure can benefit from the advanced capabilities of the system.



Fully Integrated

- Smart compact Design: Combines the x-ray tube, generator, collimator, and monitor into a single unit.
- Enhanced Security and Maintenance: Ensures more secure operation and is easier to maintain, streamlining workflow



Touch Screen Monitor

- Adjustable: Equipped with a movable arm and touch screen, the monitor allows the operator to control the system efficiently while securely holding a patient.



- Quick Energy Discharge: Delivering large amounts of energy in a very short time, which enables high bursts of power to generate X-rays.
- Instantaneous Power Availability: Providing power almost instantly, ensuring the X-ray machine is ready to operate whenever needed without delay
- High Efficiency: Charge and discharge with minimal energy loss, leading to higher overall system efficiency.
- Energy Recovery: Fast absorb and store energy from regenerative processes, potentially improving the energy efficiency of the entire X-ray system.

Enhanced Acquisition software, Clearer Diagnostic Images

◀ Digital Radiography Flat Panel Detector

MyVet DR 1717 features auto-trigger signal sensing technology which does not need to integrate with a generator. Efficiency is improved by streamlining workflow eliminating extra steps needed in legacy systems. Within seconds of image preview time, patient throughput and overall productivity is improved and patient latency is reduced, providing an economical and ideal solution for x-ray diagnostics.



- Fixed cassette sized: No modifications required
- Image quality: 127 μm / 140 μm , Cesium-Iodide
- 1GB connection speed
- Auto triggering technology



◀ Myvet View Acquisition Workstation

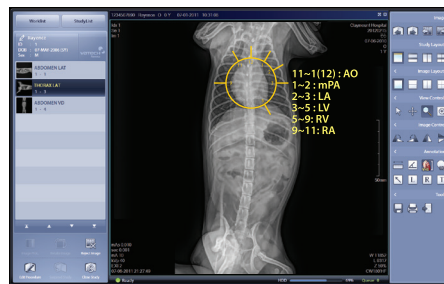
MyVet View is a complete image management software featuring easy data searching, fast image acquisition, and user-friendly functions. These functions include image viewing, reprocessing, optimizing and archiving. It's intuitive and direct graphic user interface provides users simple access to patient history, image search, and case studies. An optional mini-PACS secures original DICOM images and provides more consistent patient data management.

- DICOM 3.0 compliant
- Transmit Images to PACS Server
- Image Magnification

- Display the Studied Images Side-by-Side
- Measuring the Length and Angles of the Image
- Adding annotation text, graphics and markers to an image



Capture & Viewer



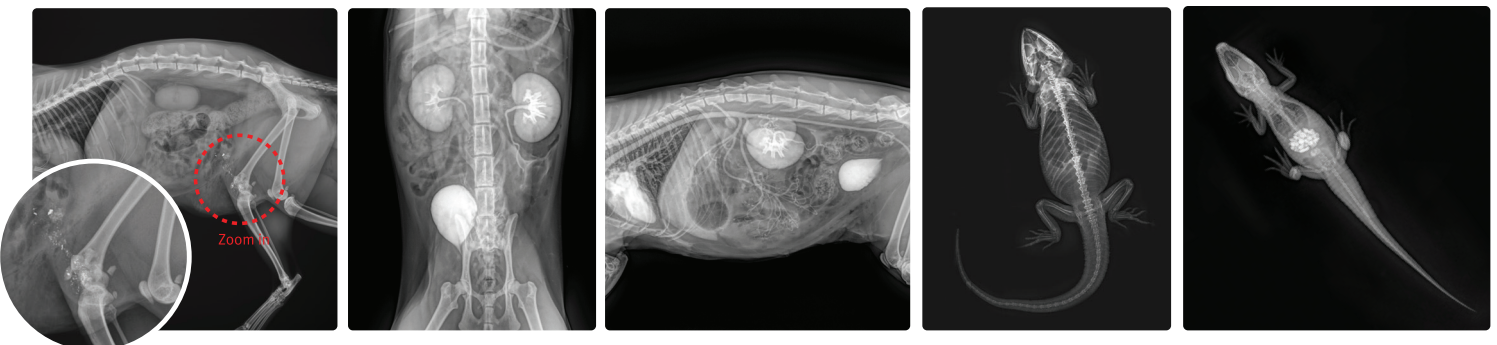
Measurement



Predefined Procedure

◀ Imaging Processing

- Integrated software for automatic image optimization
- Easy observation for bone and microstructures
- Advanced image processing for diagnostic use
- Noise suppression

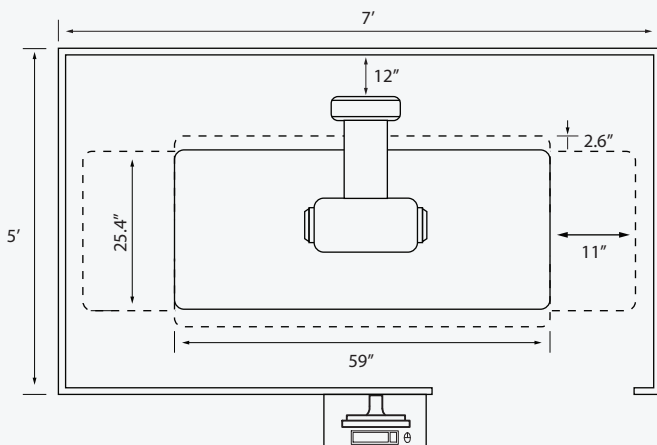
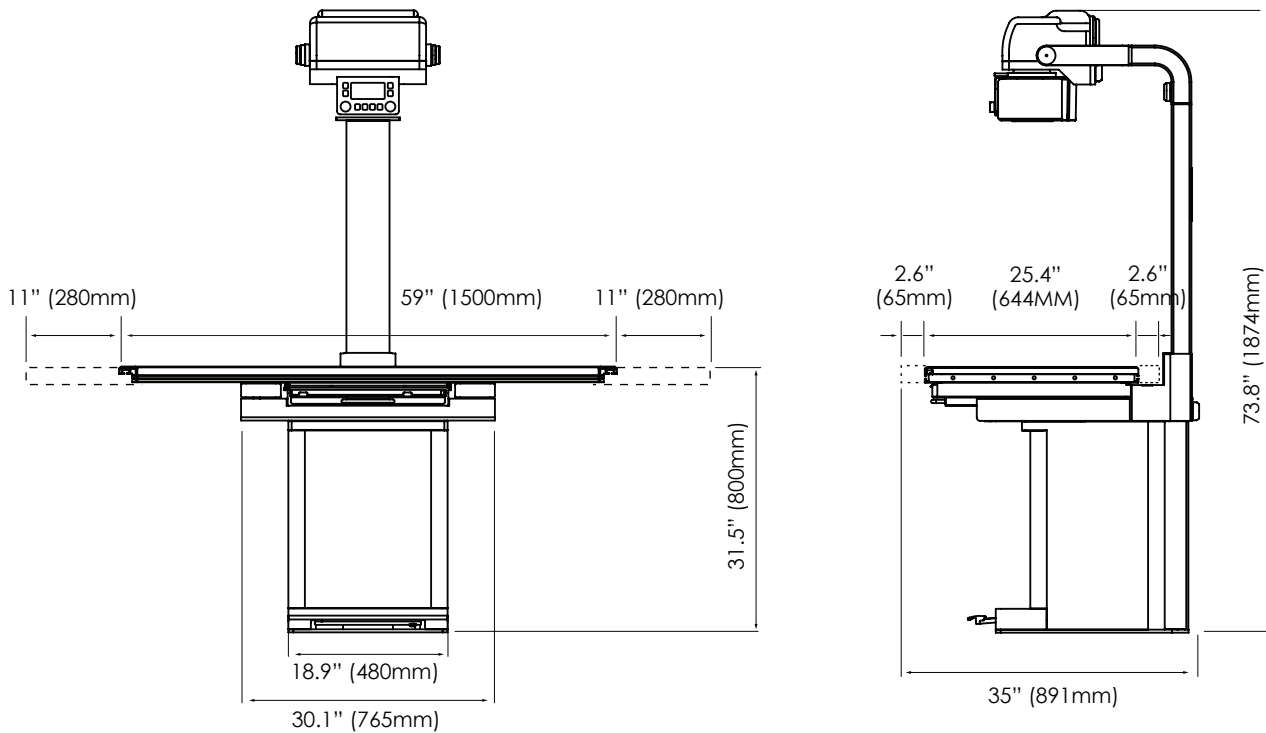


Maximizing Efficiency with a Minimal Footprint

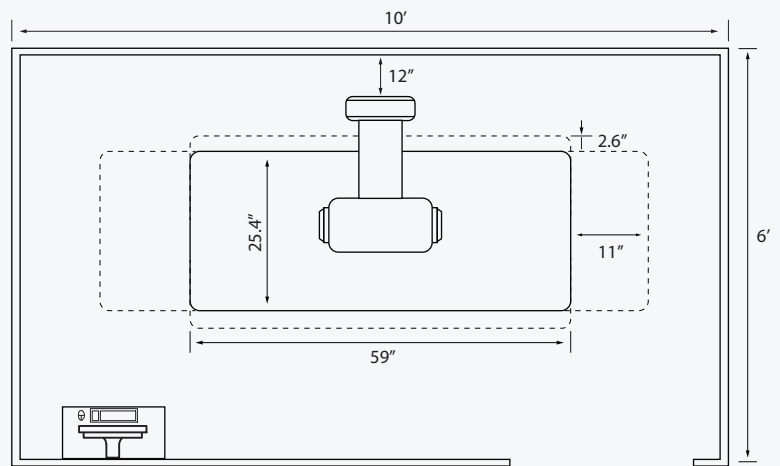
Specifications

Model	MYVET TABLE 32+
Max Output	32kW
kV Range	40-125kV
mA Range	Large 70 - 400mA / Small 35 - 192mA
mAs Range	0.5 - 400mAs

Dimensions



Minimum room size requirement



Recommended room size

myvetimaging.com